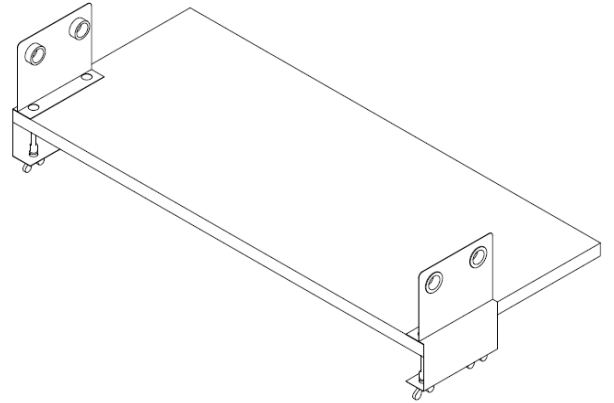
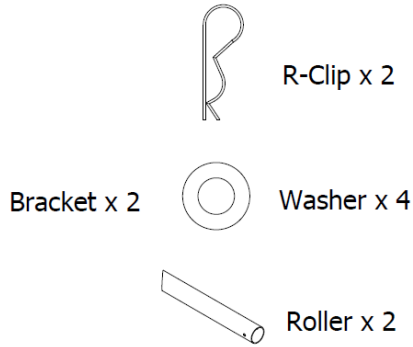
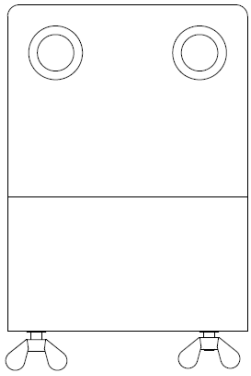


ezi-app

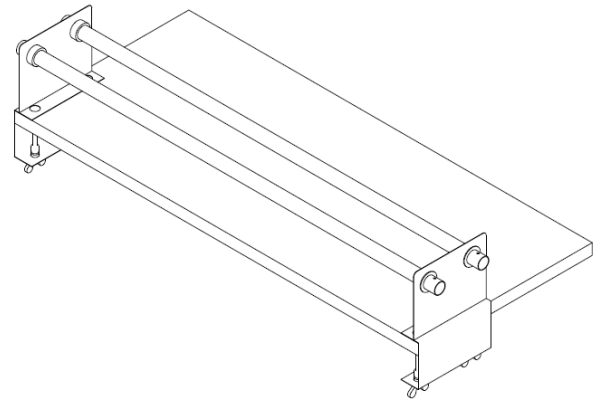
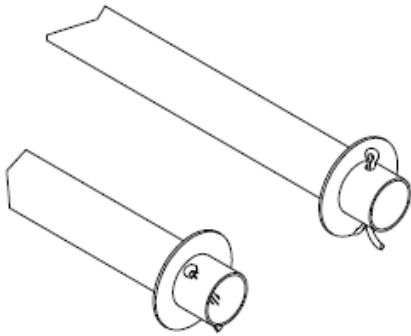
vinyl application system

How to set up the ezi-app vinyl application system



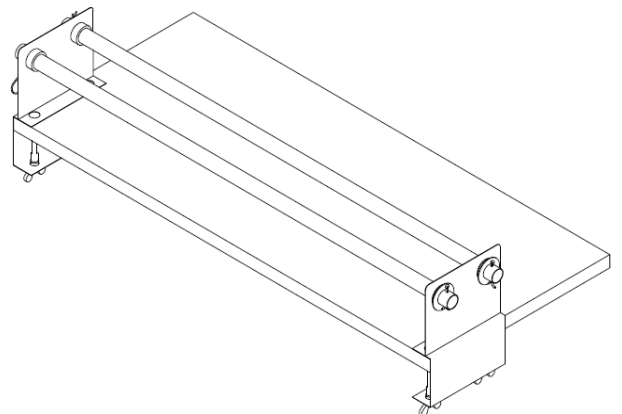
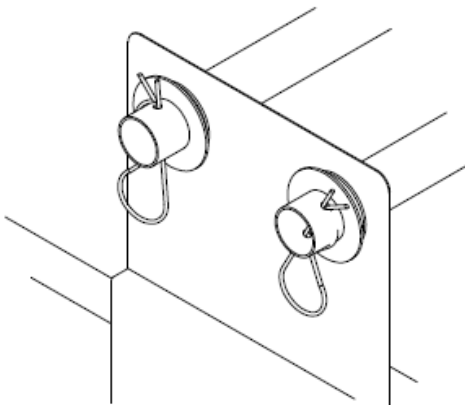
1. Parts list

2. Fix the two brackets to your table. Ensure that they both align to the back of the table.



3. Place two of the washers on the rollers at the end with the split pin fitted.

4. Feed the rollers through the bushes in the brackets.



5. Place the remaining two washers onto the end of the rollers and feed the R-Clips through the holes to secure the roller in place.

6. Your ezi-app is now ready to use. Place the roll of application tape on top of the rollers with approx 150mm wound through the middle. Pull the tape forwards to apply.

For sales enquiries or more information please contact: sales@ready2gosigns.com.au